

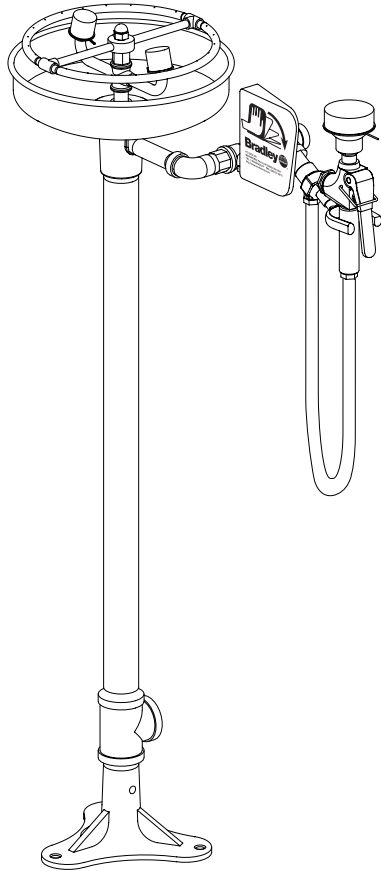
Installation

S19-210P

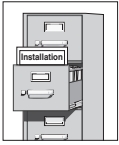
Pedestal-Mounted Eye/Face Wash

Table of Contents

Pre-Installation Information	2
Installation Instructions	3
Assembly of Components	4
Parts List	5



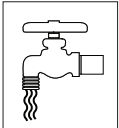
IMPORTANT



Read this installation manual completely to ensure proper installation, then file it with the owner or maintenance department. Compliance and conformity to drain requirements and other local codes and ordinances is the responsibility of the installer.



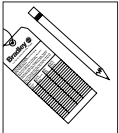
Separate parts from packaging and make sure all parts are accounted for before discarding any packaging material. If any parts are missing, do not begin installation until you obtain the missing parts.



Flush the water supply lines before beginning installation and after installation is complete. Test the unit for leaks and adequate water flow. Main water supply to the eye/face wash should be "ON" at all times. Provisions shall be made to prevent unauthorized shutoff.



The ANSI Z358.1 standard requires an uninterrupted supply of flushing fluid. Bradley plumbed emergency fixtures require a minimum of 30 PSI (0.21 MPa) flowing pressure. Flushing fluid should be tepid per ANSI Z358.1.



The inspection and testing results of this equipment should be recorded weekly to verify proper operation. This equipment should be inspected annually to ensure compliance with ANSI Z358.1.



Workers who may come in contact with potentially hazardous materials should be trained regarding the placement and proper operation of emergency equipment per ANSI Z358.1.



For questions regarding the operation or installation of this product, visit www.bradleycorp.com or call 1-800-BRADLEY.

Product warranties and service parts information may also be found under "Products" on our web site at www.bradleycorp.com.

Installation

NOTICE! Avoid cleaners containing organic solvents, alcohols, and hydrocarbons. Rinse with water after cleaning.

Supplies Required:

- (3) $\frac{3}{8}$ " floor anchors and bolts
- Pipe sealant
- Piping to $\frac{1}{2}$ " NPT water supply inlet on unit
- Piping to $\frac{1}{4}$ " NPT drain outlet for eyewash
- Sign-mounting hardware
- Backflow prevention device as required by UPC, IPC and/or local plumbing codes

Step 1: Secure base to floor

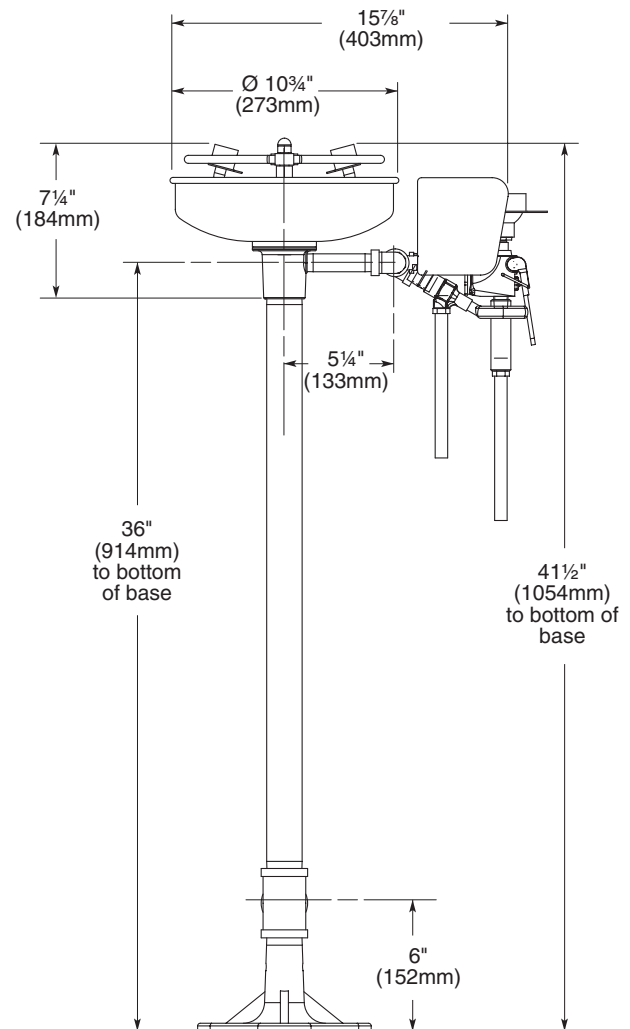
1. Install three suitable anchors (supplied by installer) for $\frac{3}{8}$ " bolts in the floor.
2. Bolt the base to the floor anchors using $\frac{3}{8}$ " bolts (supplied by installer).

Step 2: Assemble eye/face wash

1. Assemble eye/face wash components as shown on page 4.
 - Apply pipe sealant (supplied by installer) to all male-threaded pipe joints.
 - Use the rubber grip pad provided or a strap wrench around pipes when tightening to prevent marring the BradTec[®] protective, safety yellow coating. Place the grip pad on the pipe, then put the wrench over the grip pad and turn the pipe with the wrench.

Step 3: Connect water supply

1. Connect the water supply piping (supplied by installer) to the $\frac{1}{2}$ " NPT inlet on the eye/face wash.
2. Connect the drain piping (supplied by installer) to the $\frac{1}{4}$ " NPT drain outlet on the eye/face wash.
3. Mount the safety sign to the wall using sign-mounting hardware (supplied by installer).



All dimensions assume standard thread engagement. Variations in manufacturing allow for $\pm \frac{1}{8}$ " (3mm) per threaded joint. To find the tolerance of a dimension, add the number of thread joints in between a dimension and multiply it by $\frac{1}{8}$ " (3mm).

Parts List

Item	Part No.	Qty.	Description	Item	Part No.	Qty.	Description
1	131-059	1	Base	7	S27-282	1	½" Ball Valve w/Nut
2	169-727	1	Pipe Tee 1¼"	7.1	110-215	1	Nut Only
3	113-006LC	1	Pipe 1¼" x 27½"	8	128-135	1	Plastic Eyewash Handle
4	S90-281	1	Eyewash Bowl Assembly	9	142-002DA	1	Lockwasher
4.1	111-039	1	Inlet Drain Fitting	10	S45-308	1	Prepack Fittings
4.2	124-028	1	Center Seal Gasket	10.1	113-006LG	2	Pipe, Close Nipple
4.3	187-053	1	Stainless Steel Bowl	10.2	169-838	1	Pipe Tee
4.4	173-009	1	Cup Strainer	10.3	169-808A	1	Wall Outlet w/Hook
4.5	S21-073	1	Supply Pipe	11	S89-002	1	Yellow Tube ¾" x 8'
4.6	113-1159	1	Spacer, Drain	12	S39-817	1	Hose Spray Assembly
4.7	S05-100	1	Yoke/Sprayhead Assembly	12.1	S45-2453	1	Service Kit EFW - Black Sprayheads
4.8	107-371	2	Tethered Dust Cover	12.2	128-182	1	Handle
4.9	269-651	1	Swivel Stem	12.3	S27-332	1	Valve, Hose Spray
4.10	124-055	2	Quad Ring	12.4	S53-063	1	Tethered Dust Cover
4.11	139-087	1	Spray Ring	13	114-051	1	Safety Sign
4.12	110-199	1	Nut, Acorn	14	204-421	1	Emergency Inspection Tag
5	113-006LQ	1	Pipe ½" x 3½"	15	269-915	1	Grip Pad (not shown)
6	169-025	1	Street Elbow ½"				

Prepack S45-122 includes Items 7, 7.1, 8, 9

Prepack S45-123 includes Items 7.1, 8, 9

Prepack S05-127 includes Items 4.9, 4.10, 4.11, 4.12